



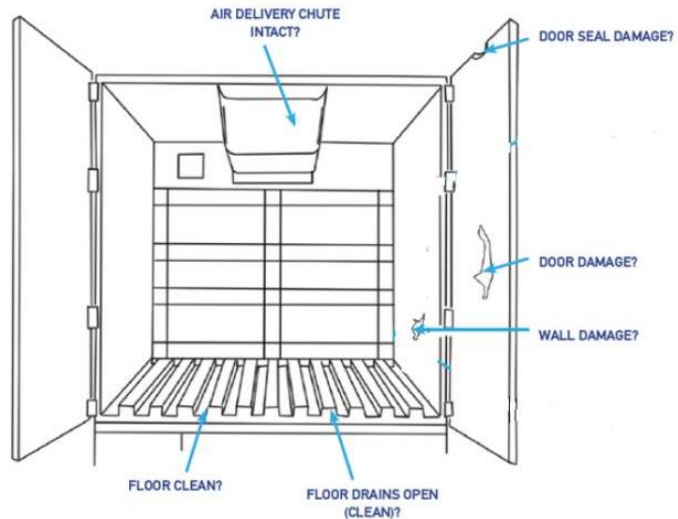
Vehicle Inspection Report

Container #:	Date:
Shipper:	
Carrier:	
Driver:	

To be completed by the Carrier and sent to Tiger Cool Express by email at operations@tigercoolexpress.com.

Container Inspection:

- | Yes | No | |
|--------------------------|--------------------------|--|
| <input type="checkbox"/> | <input type="checkbox"/> | Air chute secure with no defects? |
| <input type="checkbox"/> | <input type="checkbox"/> | Door shuts completely? Seals intact and in good repair? |
| <input type="checkbox"/> | <input type="checkbox"/> | Doors undamaged? |
| <input type="checkbox"/> | <input type="checkbox"/> | Walls undamaged? |
| <input type="checkbox"/> | <input type="checkbox"/> | Front bulk head installed? |
| <input type="checkbox"/> | <input type="checkbox"/> | Floor clean and free of debris? |
| <input type="checkbox"/> | <input type="checkbox"/> | Floor drains open and clean? |
| <input type="checkbox"/> | <input type="checkbox"/> | Container clean and odor-free? |
| <input type="checkbox"/> | <input type="checkbox"/> | Exterior rails or support frames not cracked, broken, loose, or sagging? |
| <input type="checkbox"/> | <input type="checkbox"/> | Exterior: Reefer unit is undamaged and doors in good condition? |
| <input type="checkbox"/> | <input type="checkbox"/> | Exterior of container in good condition (no signs of damage)? |



Chassis Inspection:

- | | | | | | |
|--------------------------|--------------------------|--|--------------------------|--------------------------|--|
| <input type="checkbox"/> | <input type="checkbox"/> | Kingpin upper coupling device okay? | <input type="checkbox"/> | <input type="checkbox"/> | Wheels, rims, lugs, tires okay? |
| <input type="checkbox"/> | <input type="checkbox"/> | Rail or support frames okay? | <input type="checkbox"/> | <input type="checkbox"/> | Lighting devices, lamps, markers working? |
| <input type="checkbox"/> | <input type="checkbox"/> | Tie-down bolsters okay? | <input type="checkbox"/> | <input type="checkbox"/> | Brakes in good repair? |
| <input type="checkbox"/> | <input type="checkbox"/> | Locking pins, clevises, clamps, or hooks okay? | <input type="checkbox"/> | <input type="checkbox"/> | Airline connections, hoses, and couplers okay? |
| <input type="checkbox"/> | <input type="checkbox"/> | Sliders or sliding frame lock okay? | <input type="checkbox"/> | <input type="checkbox"/> | Crank handles and landing legs okay? |

NOTE: Explain any container or chassis defects on the back of this report.

This certifies that this equipment was received in good condition except for the defects noted above and documented. Shipper assumes all responsibilities for the equipment and its contents. Shipper agrees to promptly reimburse owner/lessor of equipment for cost of repairing or replacing such equipment for damages or losses that occur while the equipment is in the Shipper's care.

Signature: _____